



**For Security
Vari-Focal**

MP³ MEGA PIXELS

YV4.3×2.8SA-SA2

| | | | | |
|---|-----|-----|-----|-----|
| 1 | 2/3 | 1/2 | 1/3 | 1/4 |
|---|-----|-----|-----|-----|

4.3×



New!

VARI
Vari-Focal

WIDE
Wide Angle

TELE
Telephoto
Long Focal

3 Mega
For Megapixel
Camera

DC
DC Auto Iris

CS-mt
CS Mount

METAL
Metal Mount

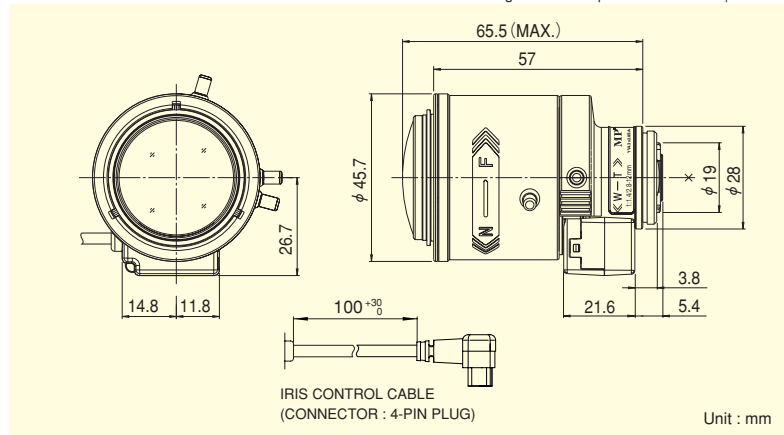
ND
ND Filter

230
Long Cable

AT
Aspherical Lens

F1.4
Wide Aperture Lens

- High image-quality monitoring with optical performance supporting 3 megapixels.
- Wide f2.8-12mm range accommodates various applications
- Compact and lightweight design, best suited for use with dome cameras.
- Designed to maximize optical performance with high-accuracy aspheric lens, low-dispersion glass, and high refractive-index glass.
- Built-in ND filter of T360, supporting high sensitivity cameras.



MEGAPIXEL VARI-FOCAL LENSES

| | | | |
|---|--|----------------------------------|------------------|
| Focal Length (mm) | | 2.8~12 (4.3×) | |
| Iris Range | | F1.4 ~ T360 (Equivalent to F360) | |
| Operation | Zoom | Manual | |
| | Focus | Manual | |
| | Iris | Auto (DC Type) (*1) | |
| Angle Of View (H×V) | 1/3" | WIDE | 100°02' × 74°03' |
| | | TELE | 23°21' × 17°36' |
| | 1/4" | WIDE | 74°03' × 55°06' |
| | | TELE | 17°36' × 13°13' |
| Focusing Range (From Front Of The Lens) (m) | | ∞ ~ 0.3 | |
| Object Dimensions at M.O.D. (H×V) (mm) | 1/3" | WIDE | 753 × 476 |
| | | TELE | 131 × 98 |
| | 1/4" | WIDE | 476 × 329 |
| | | TELE | 98 × 73 |
| Back Focal Distance (in air) (mm) | | 7.80 | |
| Exit Pupil Position (From Image Plane) (mm) | | 455 | |
| Filter Thread (mm) | | — | |
| Mount | | CS | |
| Mass (g) | | 60 | |
| Coil Resistance | | Drive Coil | 190Ω |
| | | Damping Coil | 500Ω |
| Current Consumption | | 23mA (Max.) at DC 4V | |
| Remarks | • With Metal Mount (*1) When power is turned off, iris will automatically close. YV4.3×2.8SA-SA2L : Long Cable Type (230mm) | | |

