

Wall bracket



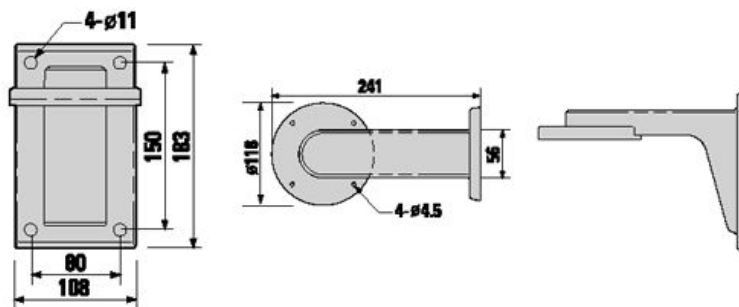
FEATURES

- Applies to SHG-120 (Indoor housing) or SHG-220 (Outdoor housing)

SPECIFICATIONS

Body material	Die cast aluminium
Colour	Silver
Weight	0.8 kg
Dimensions w*h*d	108 x 183 x 241 mm

DIMENSIONS



Design and specifications are subject to change without notice

Status 12/2007



Videoüberwachungstechnik Berthold

Mölsheimerstr.25 B
D - 67592 Flörsheim-Dalsheim

Tel.: 06243-680452
Fax.: 06243-903404

E-Mail: info@alarmvideo.de