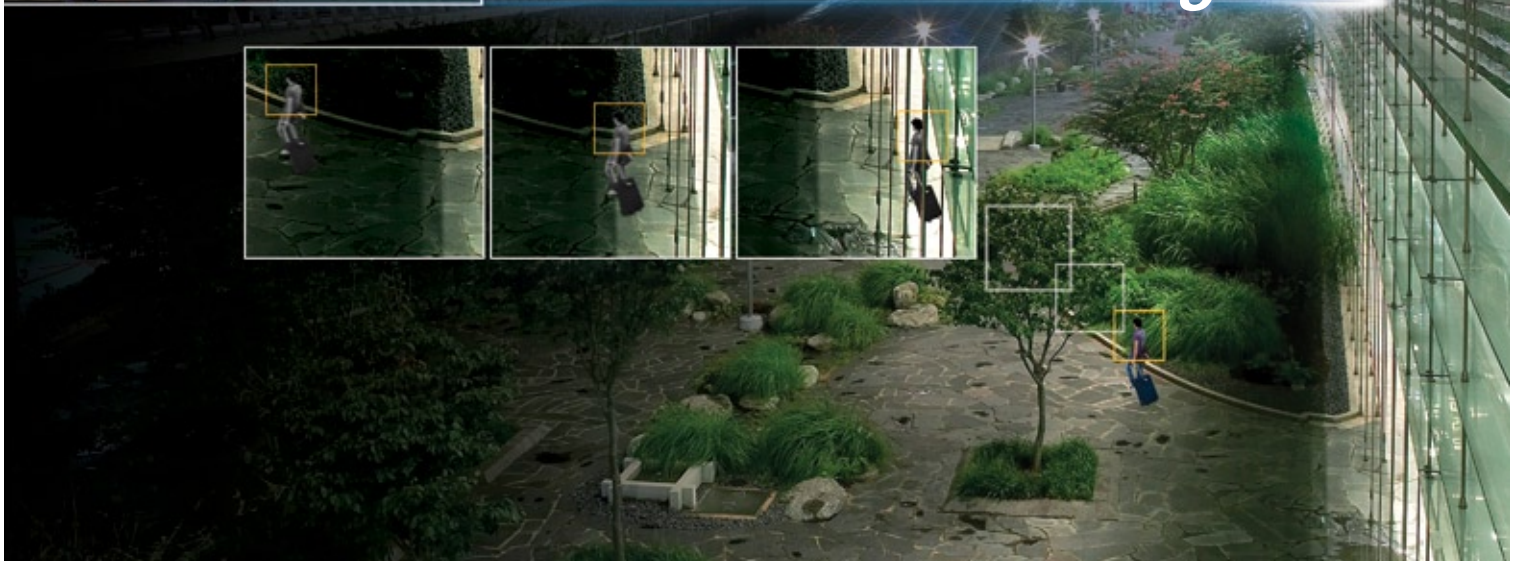


**SV IV**



# 37X Optical Zoom, Auto Motion Tracking



37X/33X High Resolution WDR PTZ Dome Camera

## **SPD-3750/3750T/3350**

- Up to 37X optical (3.5 ~ 129.5mm) & 12X digital zoom (444X total zoom)
- Color resolution of 550TV lines, 680TV lines in B/W
- 128X pixel control WDR, Intelligent Auto Tracking
- Excellent low light sensitivity of 0.7Lux, ICR Day & Night function
- Advanced 3D filtering digital noise reduction (SSNR II), Max. 256X Sens-up
- User-friendly multi-language OSD, DIS (Digital Image Stabilization)
- 256 Presets, RS-485/422 remote control

\* Specifications vary depending on model

Preliminary

**SAMSUNG TECHWIN**

**SAMSUNG**

## 37X/33X High Resolution WDR PTZ Dome Camera

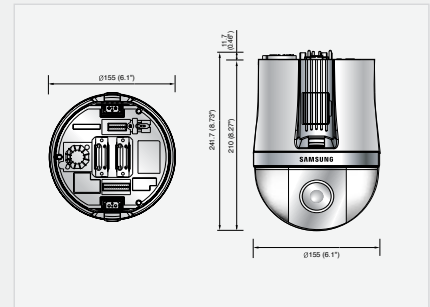
**SPD-3750/3750T/3350**

## Specifications

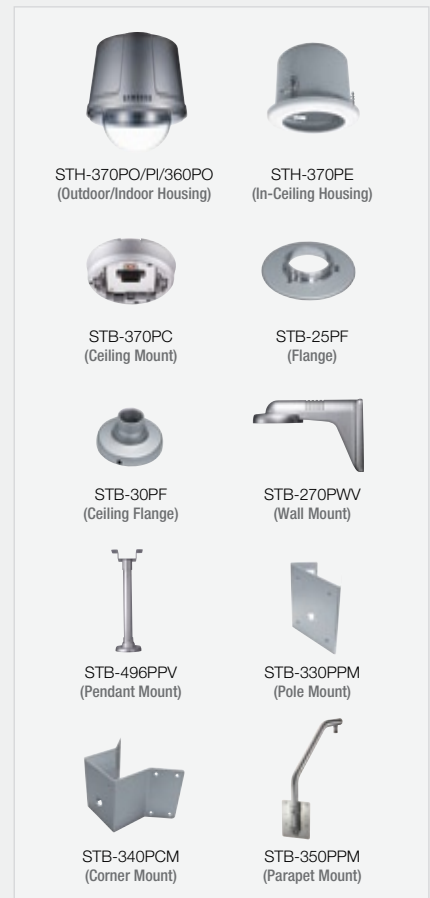
	SPD-3750N/3750TN/3350N	SPD-3750P/3750TP/3350P
<b>ELECTRICAL</b>		
Input Voltage	24V AC	
Power Consumption	Max. 15W	
<b>VIDEO</b>		
Imaging Device	1/4" Vertical double density interline CCD	
Total Pixels	811(H) x 508(V)	795(H) x 596(V)
Effective Pixels	768(H) x 494(V)	752(H) x 582(V)
Scanning System	2 : 1 Interlace	
Synchronization	Internal / AC line-lock	
Frequency	H : 15.734KHz / V : 59.94Hz	H : 15.625KHz / V : 50Hz
Horizontal Resolution	Color : 550TV lines (Min.) / B/W : 680TV lines (Min.)	
Min. Illumination	Color : 0.7Lux (50 IRE@F1.6), 0.002Lux (Sens-up, 256X) B/W : 0.06Lux (50 IRE@F1.6)	
S / N (Y signal)	52dB	
Video Output	CVBS : 1.0Vp-p / 75Ω	
<b>LENS</b>		
Zoom Ratio	<b>SPD-3750/3750T</b> 37X (Optical), 12X (Digital) / <b>SPD-3350</b> 33X (Optical), 12X (Digital)	
Focal Length	<b>SPD-3750/3750T</b> 3.5 ~ 129.5mm / <b>SPD-3350</b> 3.5 ~ 115.5mm	
Max. Aperture Ratio	<b>SPD-3750/3750T</b> 1 : 1.6(Wide) ~ 3.9(Tele) / <b>SPD-3350</b> 1 : 1.6(Wide) ~ 3.6(Tele)	
Min. Object Distance	1.8m (5.91ft)	
Angular Field of View	<b>SPD-3750/3750T</b> H : 55.5°(Wide) ~ 1.59°(Tele) / V : 42.5°(Wide) ~ 1.19°(Tele) / <b>SPD-3350</b> H : 56.3°(Wide) ~ 1.77°(Tele) / V : 43.2°(Wide) ~ 1.33°(Tele)	
Focus	Auto / Manual / One-push	
Zoom Movement Speed	<b>SPD-3750/3750T</b> 2.5sec / <b>SPD-3350</b> 2.4sec	
Iris Control	Auto / Manual	
<b>PAN / TILT</b>		
Auto Tracking	Built-in (SPD-3750T Only)	
Pan Range	360° Endless	
Pan Speed	Preset : 500°/sec / Manual : 0.024°/sec ~ 120°/sec (Proportional zoom ratio)	
Tilt Range	-6° ~ 186°	
Tilt Speed	Preset : 500°/sec / Manual : 0.024°/sec ~ 120°/sec (Proportional zoom ratio)	
Preset Positions	256	
Preset Accuracy	±0.1°	
PTZ Mode	Preset, Swing, Group, Tour, Track (Track is applied to SPD-3750T only)	
<b>OPERATIONAL</b>		
On Screen Display	Built-in (Multi-language support)	
Camera Title	On / Off	
ID (Camera Address)	1 ~ 253	
Day & Night	Auto (ICR) / Color / B/W	
Backlight Compensation	WDR / BLC / HLC / Off	
Dynamic Range	52dB	
Motion Detection	On / Off	
Digital Image Stabilization	On / Off	
Privacy Masking	On / Off (8 Programmable zones)	
3D Noise Filter (SSNR II)	Low / Medium / High / Off	
Sens-up (Frame Integration)	On / Off (Selectable limit ~ 256X)	
Gain Control	Low / Medium / High / Manual / Off	
White Balance	ATW / AWC / Manual / Indoor / Outdoor	
Electronic Shutter Speed	Auto (NTSC : 1/60 ~ 1/120,000sec, PAL : 1/50 ~ 1/120,000) / Manual / A.FLK	
Communication	RS-485/422	
Protocol	STW, Pelco-D, Pelco-P, Panasonic, Honeywell, AD, Vicon, SEC	
Alarm	4 In, 2 Out, 1 Aux	
Auto Digital Flip	On / Off	
<b>ENVIRONMENTAL</b>		
Operating Temperature / Humidity	-10°C ~ +50°C / 20% ~ 80% RH	
Storage Temperature / Humidity	-20°C ~ +60°C / 20% ~ 95% RH	
<b>MECHANICAL</b>		
Dimension (WxH)	Ø155 x 241.7mm (Ø6.1" x 8.73")	
Weight	2Kg (0.99lb)	
Ingress Protection	IP67 (Optional housing)	

## Dimensions

Unit : mm (inch)



## Accessories



The Eco mark represents Samsung Techwin's will to create environment-friendly products, and indicates that the product satisfies the EU RoHS Directive.

Design and specifications are subject to change without notice.

■ DISTRIBUTED BY



SAMSUNG TECHWIN

www.videoueberwachung.com

www.alarmvideo.de  
Tel. +49(0)6243-680917

I.D-0809