

1/2" CCD Colour Camera, 480L,  
12VDC



---

## FEATURES

---

- Miniature camera
- High sensitivity with a minimum scene illumination
- 1/2" Sony Super HAD CCD 470.000 pixels
- Back light compensation circuitry

---

## SUMMARY

---

WATEC has been a leading manufacturer of compact, lightweight CCD cameras for use in surveillance, image processing and FA systems for almost 20 years. Our customers have consistently evaluated our cameras to be of the highest quality and reliability, with the result that Watec now has markets in over 60 countries world wide.

WATEC has become the leader in miniaturization, currently producing the smallest CCD cameras in the industry. Our design philosophy and development has been driven by our goal for versatile usage and installation ease. Through our own research and development of hybrid integrated circuitry, Watec continues to shrink CCD cameras while retaining quality and resolution.

Precision quality and guaranteed reliability are the hallmark of our endeavours. Since its inception, Watec's main objective has been the strict adherence to our very own WQC (Watec Quality Control) policies which guarantee utmost quality to our clients around the world. Watec continues to redefine the standards for tomorrow's technology, today.

Watec's innovative miniature designs are continually proven superior to our competition and have been recognized so by the US Military, Law Enforcement Agencies throughout the nation, Medical Imaging Manufacturers and Commercial Security industries world wide. "Precision quality", "Guaranteed reliability"; are terms coined by our clients describing Watec's products as well as our superior customer support.



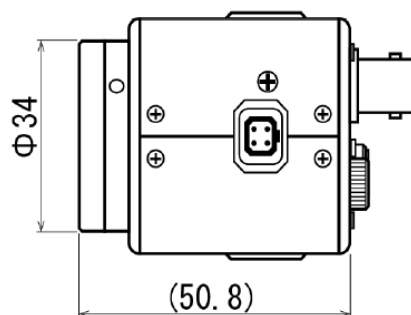
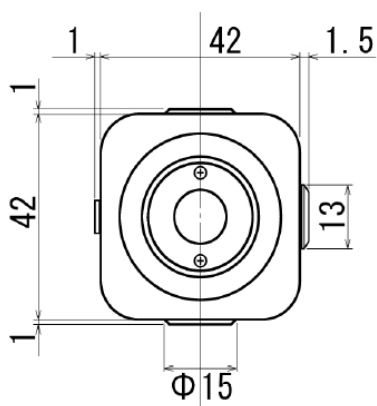
1/2" CCD Colour Camera, 480L,  
12VDC



## SPECIFICATIONS

Image Sensor	1/2" CCD
Scanning System	PAL, 50Hz, 2:1 Inter Line Transfer
Pixels - total	795 x 596
Pixels - Effective	752 x 582
Resolution	480 (H) lines
S/N Ratio	50 dB
Sensitivity	0.1 lux @ F1.2
BLC	On/Off
AGC	HI 8~36dB / LO 8~24dB / OFF 8dB
Gamma correction	0.45 or 1.0
ELC	On (max. 1/100ksec), Off
White Balance	ATW, PWB, MWB, Preset
Lens Mount	C/CS mount
Lens Drive Type	Auto iris, DC, VS
Video Output(s)	1 CVBS, 1Vpp, BNC, S-Video
Case colour	Black
Operating Temperature	-10°C ~ +40°C
Humidity	less than 95%
Supply Voltage	12 VDC $\pm$ 10%
Power Consumption	1.86 W
Weight	0.160 kg
Dimensions w*h*d	42 x 42 x 63.75 mm

## DIMENSIONS



1/2" CCD Colour Camera, 480L,  
12VDC



---

**ACCESSORIES**

---



**WATAD901**  
Power Supply

---

