



**For Security
Vari-Focal**

Applicable camera (model)

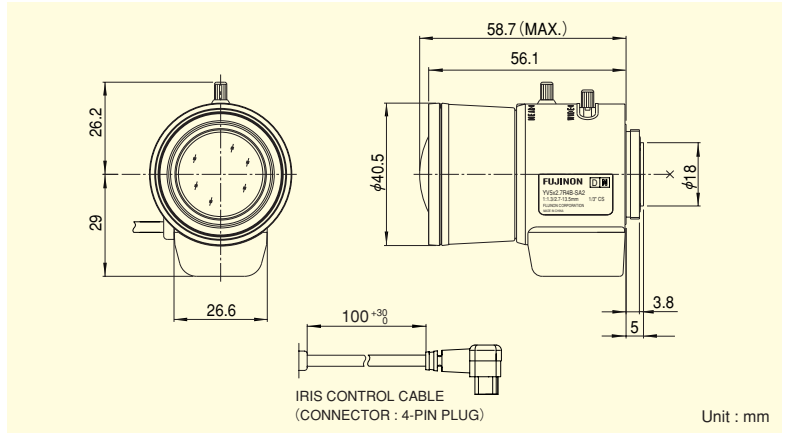
YV5×2.7R4B-SA2

1	2/3	1/2	1/3	1/4
---	-----	-----	-----	-----

5×



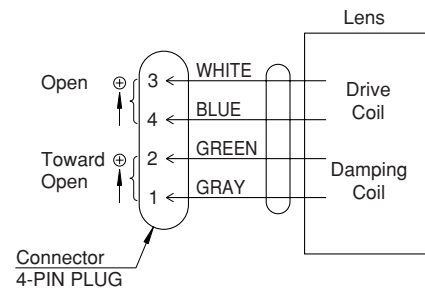
- VARI**
Vari-Focal
- WIDE**
Wide Angle
- TELE**
Telephoto
Long Focal
- Day~Night**
Day & Night
- DC**
DC Auto Iris
- CS-mt**
CS Mount
- METAL**
Metal Mount
- ND**
ND Filter
- 230**
Long Cable
- AT**
Aspherical Lens
- F1.3**
Wide Aperture Rate



- Advanced design engineering and special optic glass adopted, best suited for color, Black and White and Day and Night cameras.
- Broad range of f2.7-13.5mm, supporting various applications.
- Wide aperture of F1.3, optimizing the performance at low lighting intensity.
- High accuracy aspheric lens adopted, achieving the high quality image.
- Built-in ND filter of T360, supporting high sensitivity cameras.

Focal Length (mm)		2.7~13.5 (5×)	
Iris Range		F1.3 ~ T360 (Equivalent to F360)	
Operation	Zoom	Manual	
	Focus	Manual	
	Iris	Auto (DC Type) (*1)	
Angle Of View (H×V)	1/3"	WIDE	99°42' × 74°17'
		TELE	20°37' × 15°30'
	1/4"	WIDE	74°17' × 55°26'
		TELE	15°30' × 11°38'
Focusing Range (From Front Of The Lens) (m)		∞ ~ 0.3	
Object Dimensions at M.O.D. (H×V) (mm)	1/3"	WIDE	741 × 473
		TELE	115 × 86
	1/4"	WIDE	473 × 328
		TELE	86 × 64
Back Focal Distance (in air) (mm)		8.91	
Exit Pupil Position (From Image Plane) (mm)		96	
Filter Thread (mm)		—	
Mount		CS	
Mass (g)		70	
Coil Resistance		Drive Coil	190Ω
		Damping Coil	500Ω
Current Consumption		23mA (Max.) at DC 4V	
Remarks		<ul style="list-style-type: none"> • With Metal Mount (*1) When power is turned off, iris will automatically close. YV5×2.7R4B-SA2L : Long Cable Type (230mm)	

Wiring



[Lens Image]

2.7mm



13.5mm



VARI-FOCAL LENSES